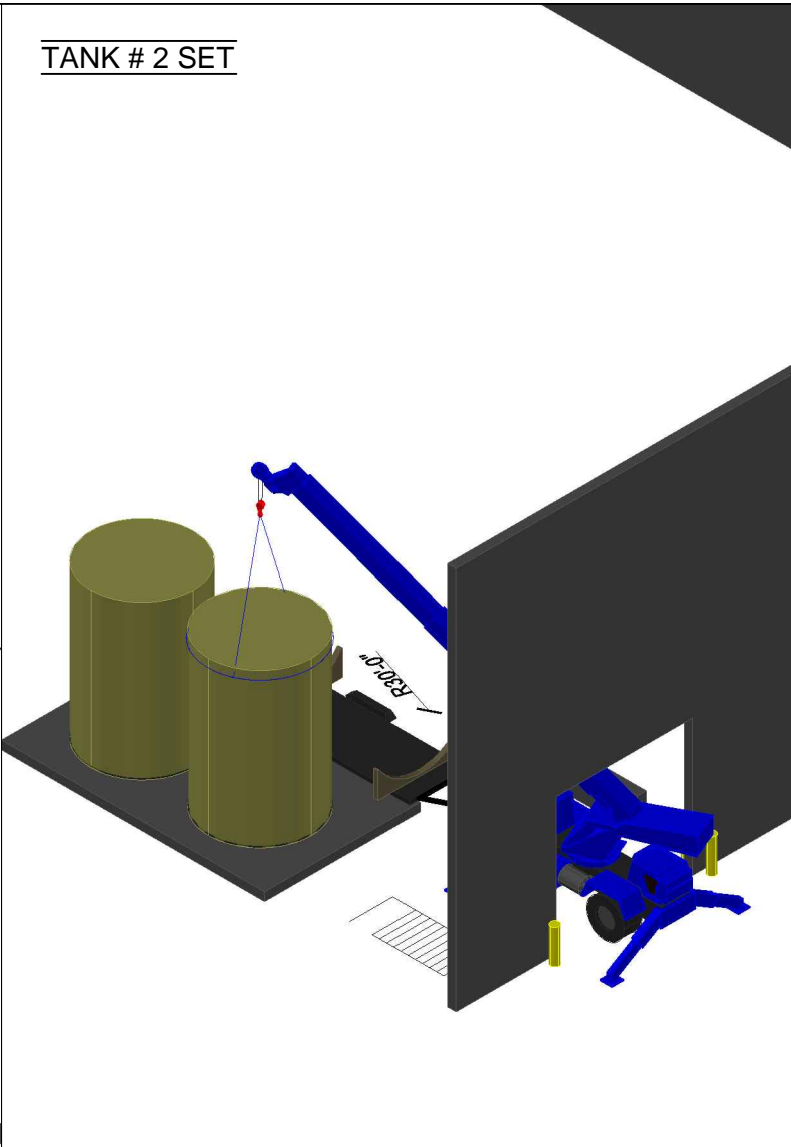
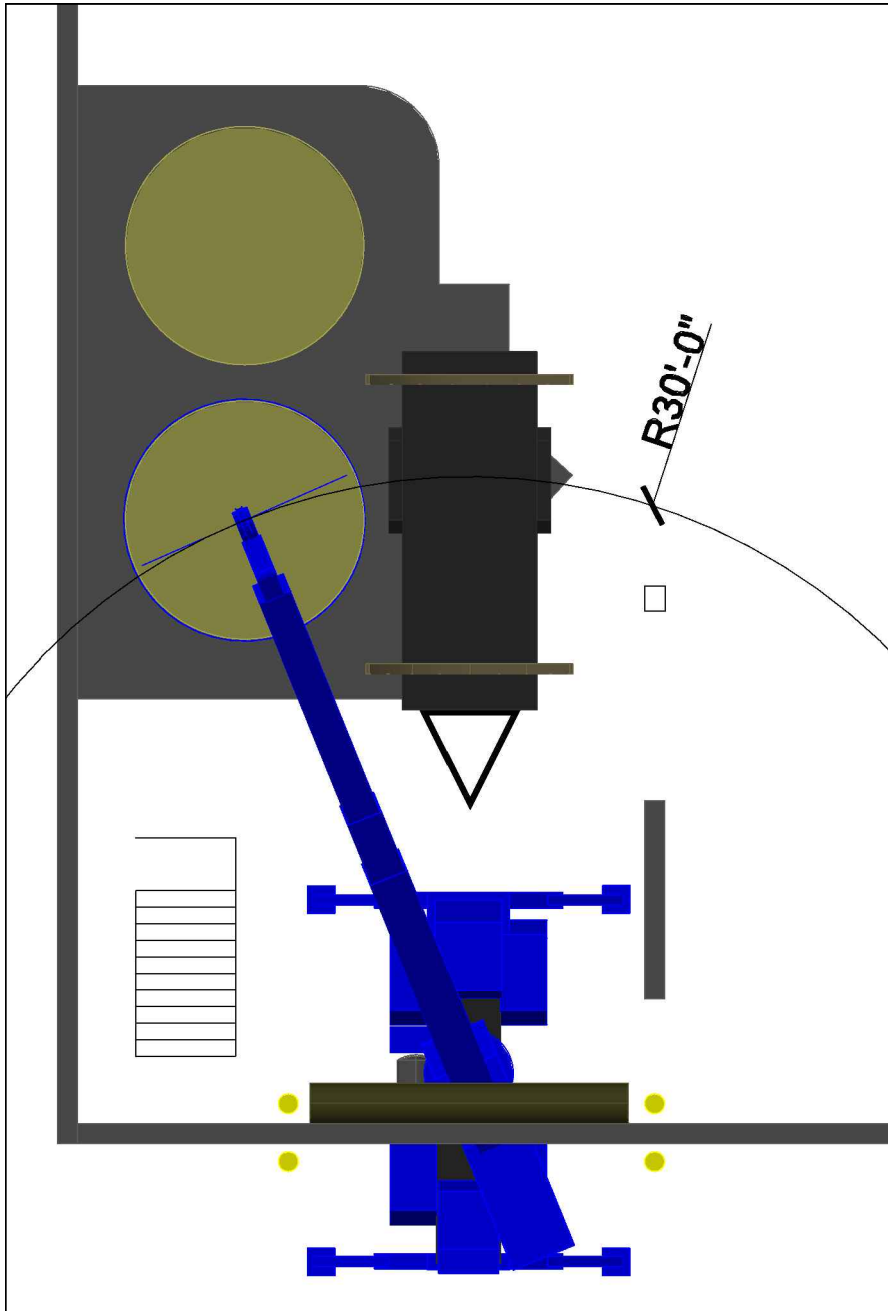


**TANK # 2 SET**



CRANE CONFIG.	GROVE RT58B
MAIN BOOM LENGTH (PICK)	36 ft
MAIN BOOM LENGTH (SET)	42 ft
MAX. BOOM POINT ELEV.	37 ft
MAX. WORKING RADIUS	30 ft
LOAD TO BE LIFTED	8,000 lbs
DEDUCTIONS: -LOAD BLOCK -LINE WEIGHT -SHACKLES -SLINGS	265 lbs 90 lbs 20 lbs 110 lbs
TOTAL LOAD	8,485 lbs
CRANE CAPACITY (PICK)	22,200 lbs
CRANE CAPACITY (SET)	14,100 lbs
PERCENTAGE OF CRANE CAPACITY USED (PICK)	40 %
PERCENTAGE OF CRANE CAPACITY USED (SET)	60 %
COUNTERWEIGHT	7,470 lbs
SLEW RATING	360 °

**MAIN CRANE: (GROVE RT58B)**  
**SLINGS: BLUE POLYESTER**  
 20 ft (QTY. 4) [1.1 lbs/ft]  
**RED POLYESTER**  
 10 ft (QTY. 2) [1.1 lbs/ft]  
**SHACKLES: SCREW PIN**  
 1" (QTY. 4) [5 lbs/each]  
**ROPE: 5/8" (3 parts) [.72 lbs/ft]**  
**MAX. LINE PULL: 9,640 lbs**

**TAILING CRANE:**  
**SLINGS: RED POLYESTER**  
 20 ft (QTY. 2) [0.7 lbs/ft]  
**SHACKLE: 1" (QTY. 1) [5 lbs/each]**

PRELIMINARY

TITLE: SAMPLE			
REVISION 1:	DATE: TODAY	CUSTOMER: SMPL	
REVISION 2:	SCALE: NTS	DWG #:	SHEET: - of -

All drawings supplied by Mountain Crane Service are confidential and proprietary. Drawings supplied are loaned and subject to return upon demand and are not to be copied or distributed other than by Mountain Crane or by written permission. Drawings are provided for reference and should be verified for actual on site equipment and procedures. Mountain Crane Service accepts no responsibility for any changes, additions or omissions made by others. Utilization of information contained on this drawing assumes full agreement with the above.



SALT LAKE CITY, UTAH  
 801.282.3330  
[www.mountaincrane.com](http://www.mountaincrane.com)